



LED SPORTS LIGHT

Installation Instructions

CAT#: 77000B- 77018B

Application:

For stadiums and large area lighting applications. Can be used for sports fields, shipyards, docking areas, airports, and other high pole lighting applications.

Caution:

1. This fixture should be installed by a licensed electrician only, abiding by all local and national electrical codes.
2. Please ensure the power is off before installing or performing any maintenance on the fixture.
3. Ensure the voltage used is within the voltage range of the fixture.
4. Do not install the fixture while it is raining.
5. Do not use an electric generator to test this product.

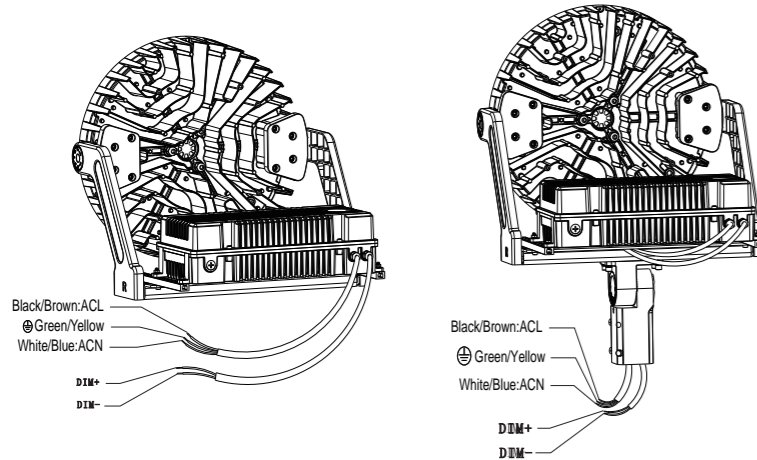
Note:

This fixture has dimming functionality.

This fixture is compatible with the following types of dimming:

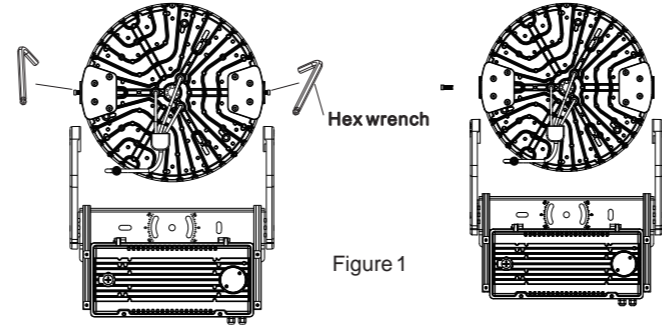
1. 0-10V Dimming
2. PWM Dimming

Wiring diagram:



Installation and Wiring

1. Use an M10 hexagon socket tool to remove the two screws shown in (Figure 1).



Hex wrench

Figure 1

2. Use the screws removed as shown in Figure 1 to slightly adjust the driver box and the LED fixture (Figure 2).

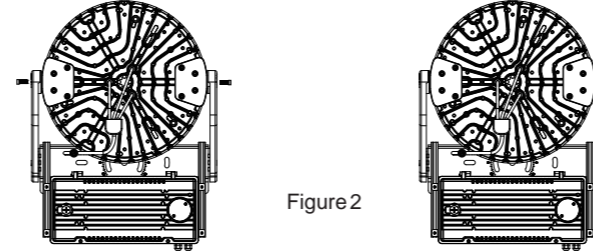


Figure 2

3. Adjust the driver box to the horizontal and vertical direction of the LED fixture, and then tighten the screws to secure it (Figure 3).

4. Connect the wire to the driver box as shown in (Figure 4)

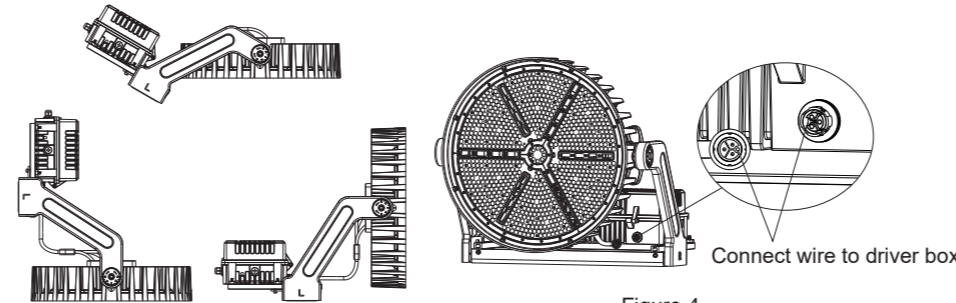
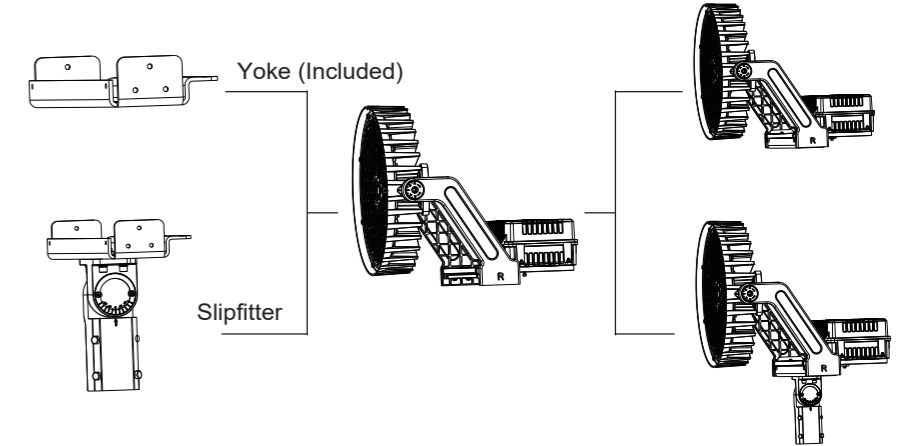


Figure 3

Figure 4

Optional brackets and installation instructions

There are 2 optional brackets for this fixture; Slipfitter & Yoke (Bracket).



Driver box installation instructions:

Use a tool to loosen the four M6 nuts that fix the driver box, slide the driver box along the guide rail, and move it to a suitable position, tighten the four M6 nuts to secure the driver box. (Figure 5)

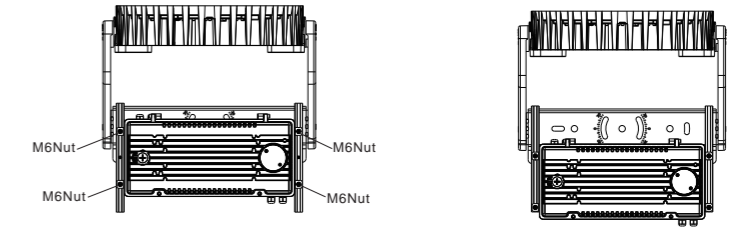
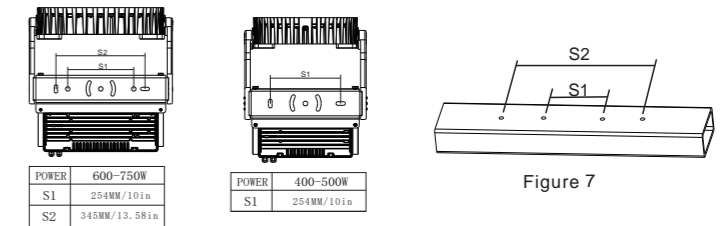


Figure 5

Installation of LED Lights:

Installation Method One (Pole Mounting):

1. Mark the hole distance S1 or S2 shown in the product to be installed (Figure 6)
2. Drill two holes of distance S1 or S2 on the mounting bar (Figure 7)



POWER	600-750W
S1	254MM/10.1in
S2	345MM/13.58in

POWER	400-500W
S1	254MM/10.1in

Figure 7

Figure 6

3. Install the luminaire on the crossbar and secure it with nuts, spring washers and flat washers (Figure 8);
4. Use hex wrench to loosen the adjustment screw used to adjust the angle (Figure 9);

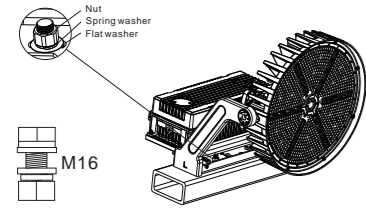


Figure 8

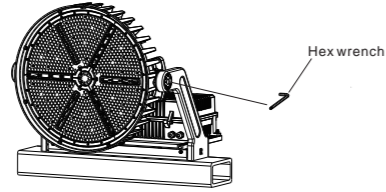


Figure 9

5. According to the need, adjust the projection angle/angle adjustment range (Figure 10);
6. Complete the angle adjustment and lock the adjustment screw;
7. According to the previous wiring diagram, select the desired wiring method.

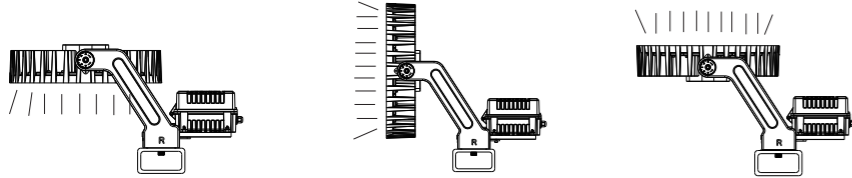


Figure 10

Installation method II (disc holder installation):

1. According to the need to adjust the lighting direction, there can be a 360 degree rotation adjustment. Tighten with screws when the adjustment is completed (Figure 11);
2. Use hex wrench to loosen the screws for adjusting the angle (Figure 12) ;

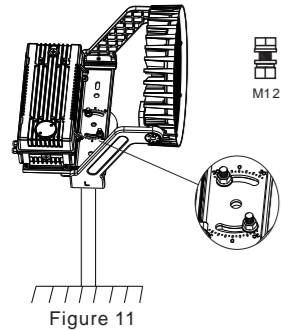


Figure 11

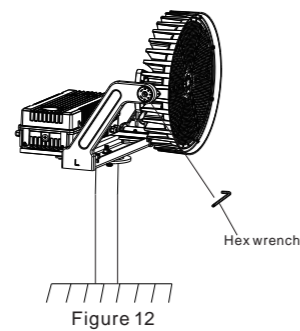


Figure 12

3. According to the need, adjust the angle of the fixture. (Figure 13);
4. To complete the projection angle adjustment, lock the adjustment screw;

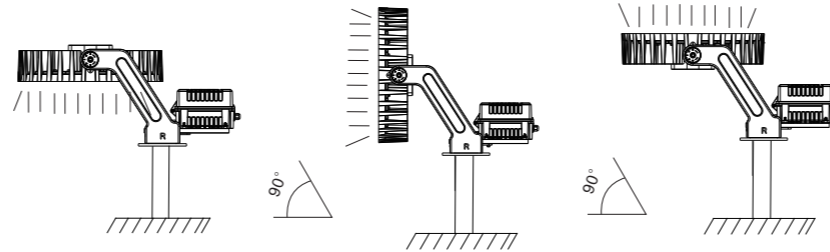


Figure 13

SLIPFITTER MOUNTING

- 1: Loosen the four bolts on the slipfitter mount, connect the wires correctly, and pull the wires into the poles. (Figure 14)
- 2: Place the mount into the pole and lock the four bolts. (Figure 15)

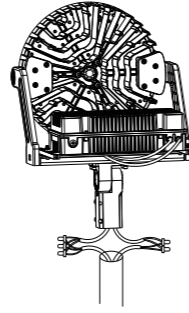


Figure 14

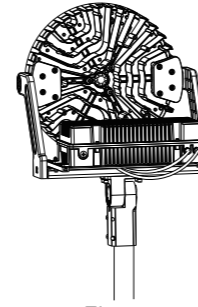


Figure 15

3. Use an open-end wrench and hex wrench to loosen the adjusting screw for adjusting the angle (Figure 16)
Notice: Adjustable angle is 0-90°.

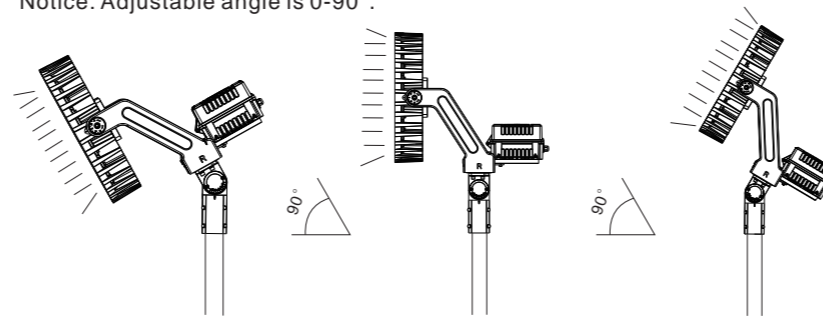


Figure 16

Instructions for light shield

To install the glare shield, fix the glare shield to the front of the fixture with a screwdriver as required. (Figure 17)

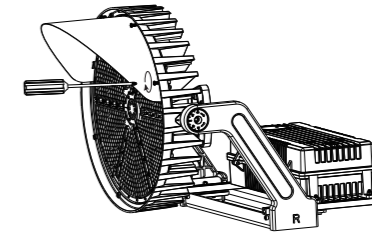


Figure 17

COMPATIBLE DIMMERS:

MAKE	MODEL	DIMMER TYPE
Leviton	DS710	0-10V
Leviton	IP710	0-10V
Lutron	NTSTV-DV	0-10V
Lutron	DVSTV	0-10V
Lutron	DVTV-WH	0-10V
Legrand	RH4FBL3PW	0-10V

MIN 90 °C SUPPLY CONDUCTORS

THIS PRODUCT MUST BE INSTALLED IN ACCORDANCE WITH THE APPLICABLE INSTALLATION CODE BY A PERSON FAMILIAR WITH THE CONSTRUCTION AND OPERATION OF THE PRODUCT AND THE HAZARDS INVOLVED.
ALL COMPONENTS IN THE LUMINAIRE SHALL NOT BE REPLACED OR SERVICED.
LES FILS D'ALIMENTATION 90 °C
CE PRODUIT DOIT TRE INSTALL SELON LE CODE D'INSTALLATION PERTINENT, PAR UNE PERSONNE QUI CONNA T BIEN LE PRODUIT ET SON FONCTIONNEMENT AINSI QUE LES RISQUES INH RENTS.